



Prototyping and Cloud Engineering



Financial Services Industry

OPA on AWS

Orchestrating and Managing CI/CD



Orchestrate Platform and Applications

FSI PACE

Platform Engineering Team

fsi-pace-pe@amazon.com

Agenda

Brief CICD Primer

OPA's CICD Approach

CICD Primer



What is CICD?

1. An automated process for building code and preparing it for release
2. Continuous Integration / Continuous Delivery
3. Why CICD?

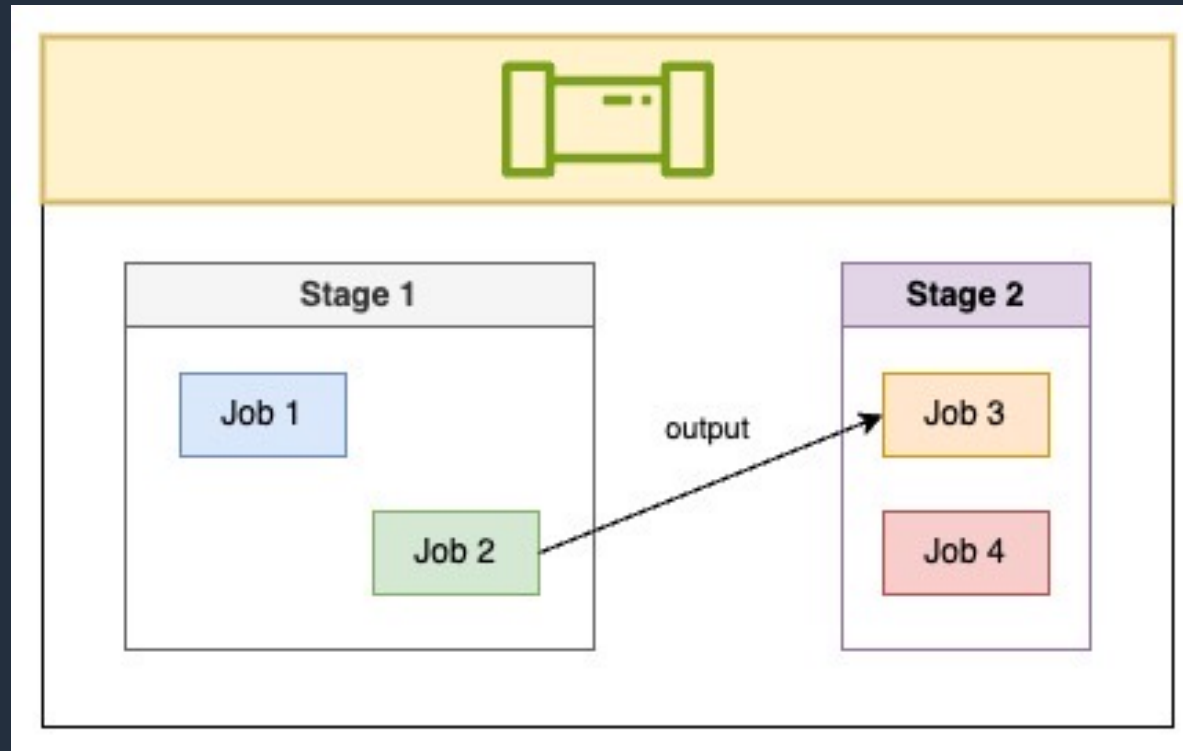
CICD Building Blocks

1. Stage

2. Job

- Run commands or scripts
- Run concurrently or in a series
- Container Instance
- Code Retrieval

Example CI/CD Pipeline



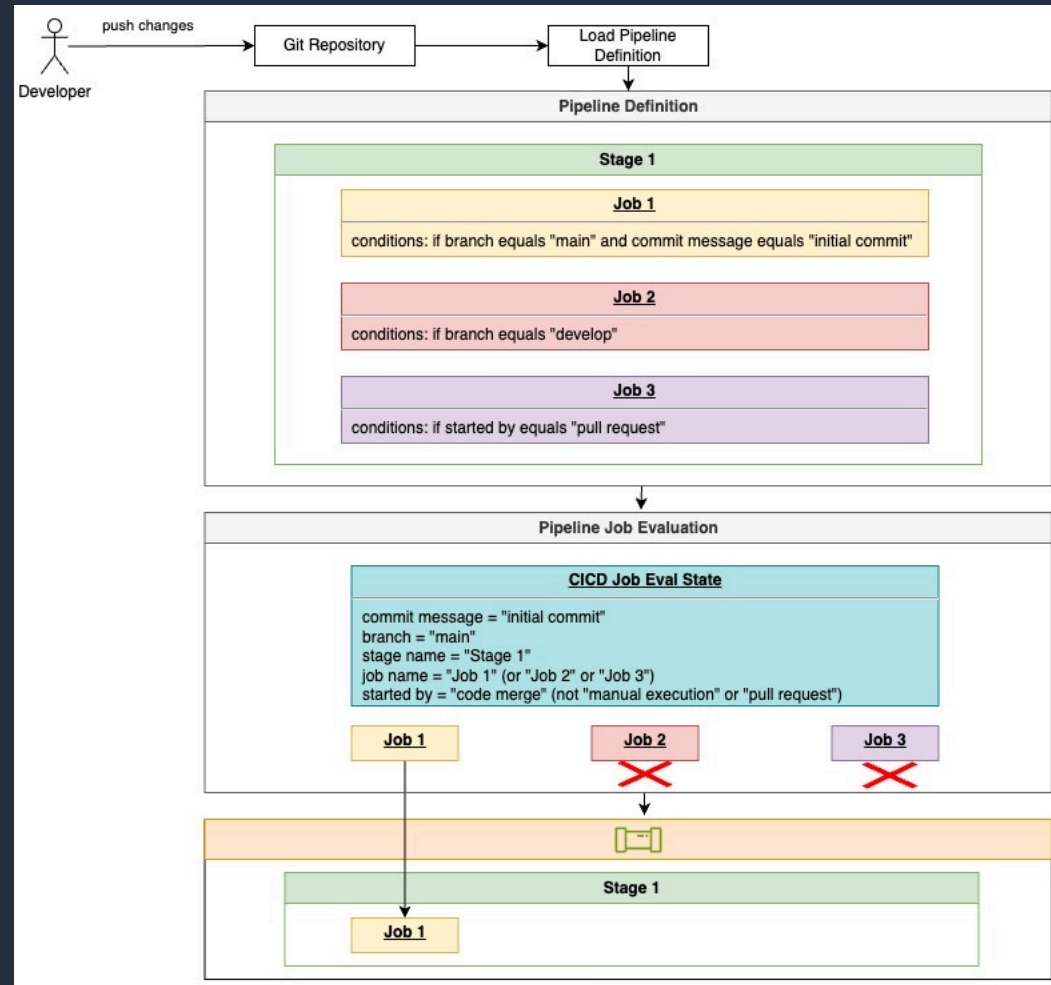
CICD Vendors

1. AWS CodePipeline
2. GitHub Actions
3. GitLab CI
4. Jenkins
5. Circle CI

Not All Vendor Solutions are Equal

1. 1 or more branch?
2. Accepts input variables?
3. Jobs set statically or dynamically evaluated?

Pipeline as Event Handler



OPA CICD



OPA CICD Vendor: GitLab CI



Hosting GitLab



GitLab Resources

GitLab CI Documentation

<https://docs.gitlab.com/ee/ci/yaml/>

Backstage Integration:

<https://backstage.io/docs/integrations/gitlab/discovery/>

Backstage CICD Plugin

<https://github.com/immobiliare/backstage-plugin-gitlab>

GitHub Resources

GitHub Actions Documentation

<https://github.com/features/actions>

Backstage Integration:

<https://backstage.io/docs/integrations/github/locations/>

Backstage CICD Plugin

<https://roadie.io/backstage/plugins/github-actions/>

Using Something Other Than GitLab

Configure Backstage integration with Git vendor in app-config.yaml

Configure or write a CICD plugin, or hide CICD tab

Port or reimplement OPA pipeline code for applications and environment providers

Update application templates to publish to your Git vendor and create an access token for cloning the new repo

OPA Application Pipelines



OPA Application Pipelines

Branching Strategies and High-Level Flow



OPA Application Pipeline Design Choices

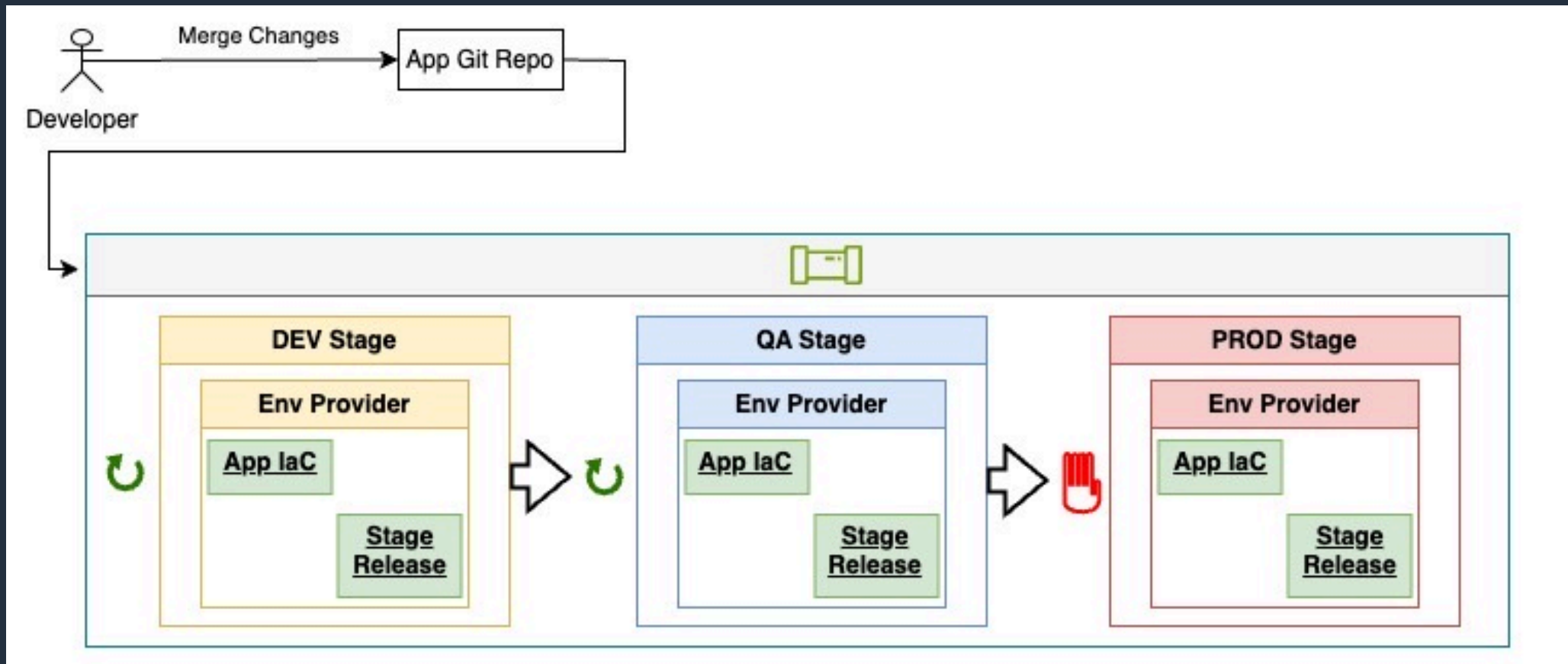
1. One stage per environment

Application State

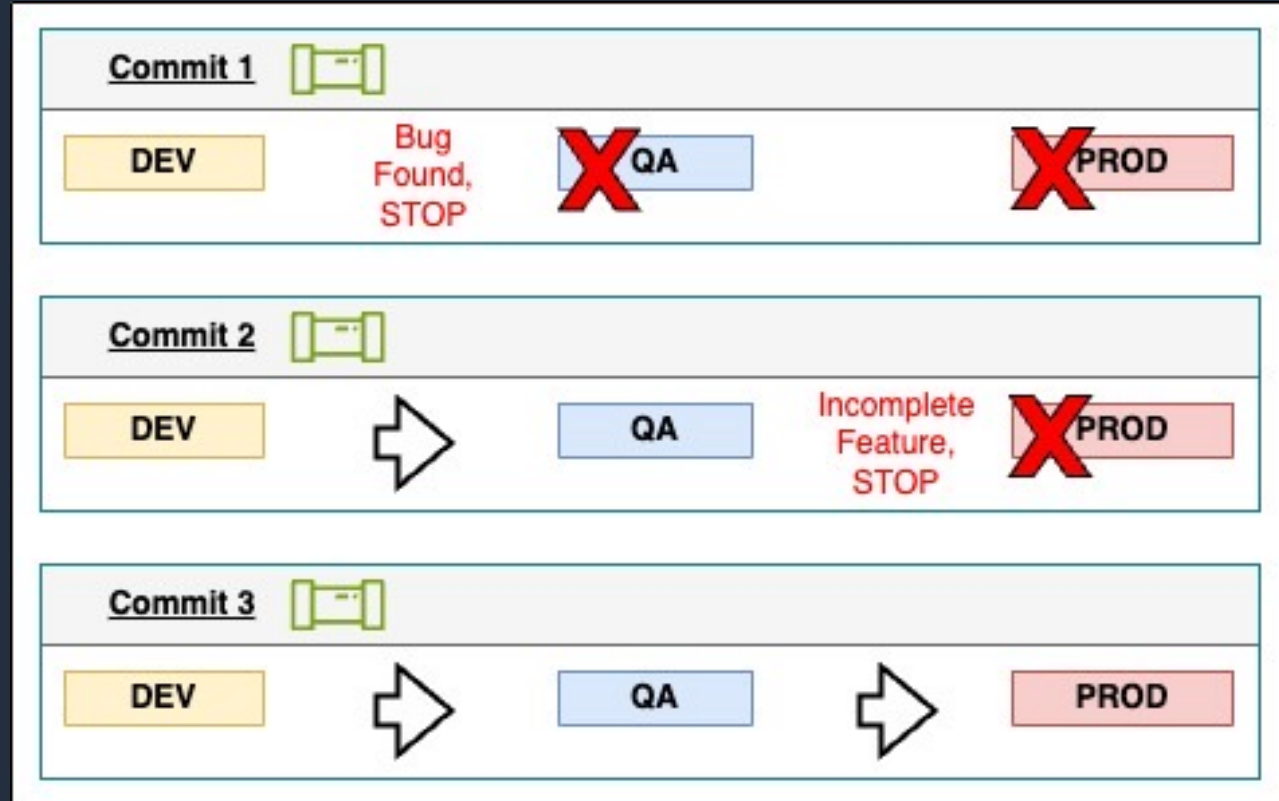
STATUS	CREATED AT	LAST UPDATED
LIVE	10/25/2023 5:02:10 PM (Mountain Standard Time)	10/26/2023 5:57:38 AM (Mountain Standard Time)

[REFRESH](#) [UPDATE APP](#) [DELETE APP](#)

OPA Application Pipelines



OPA Application Pipelines

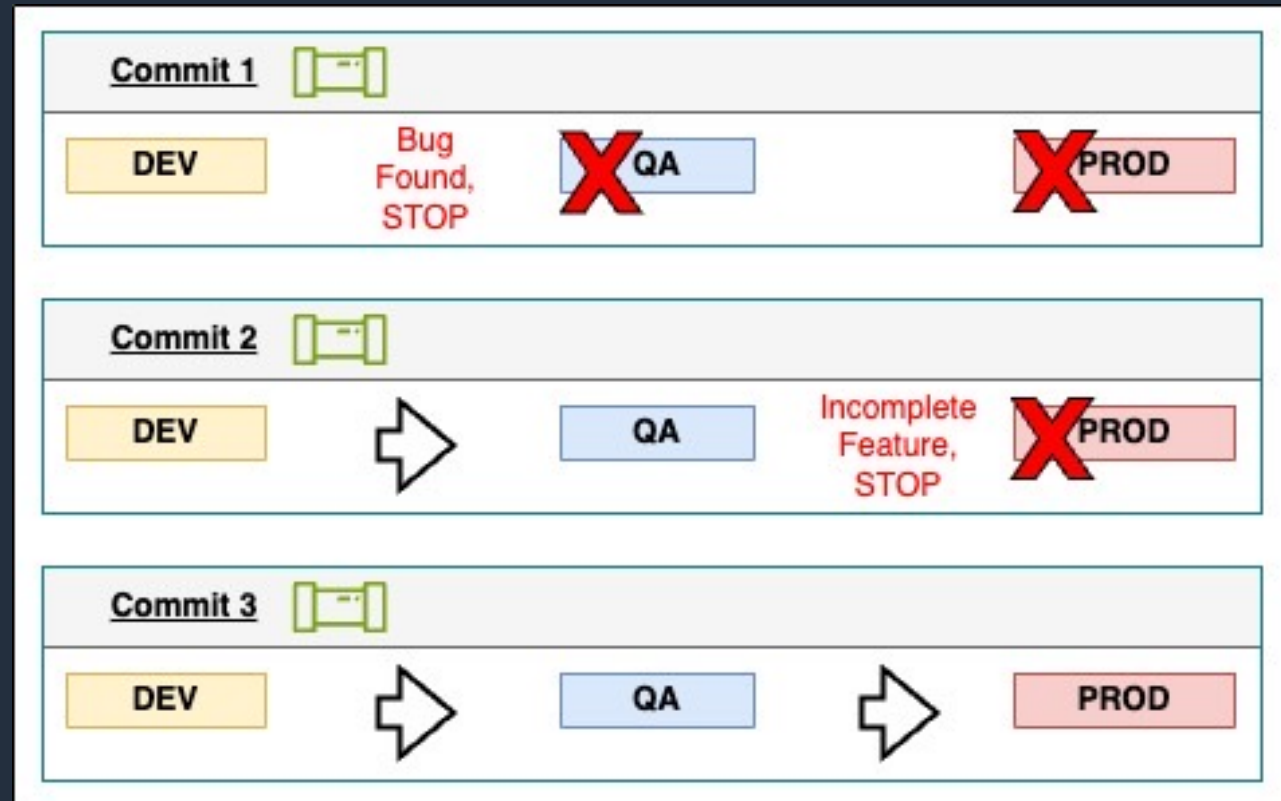


OPA Application Pipelines

Customization Options

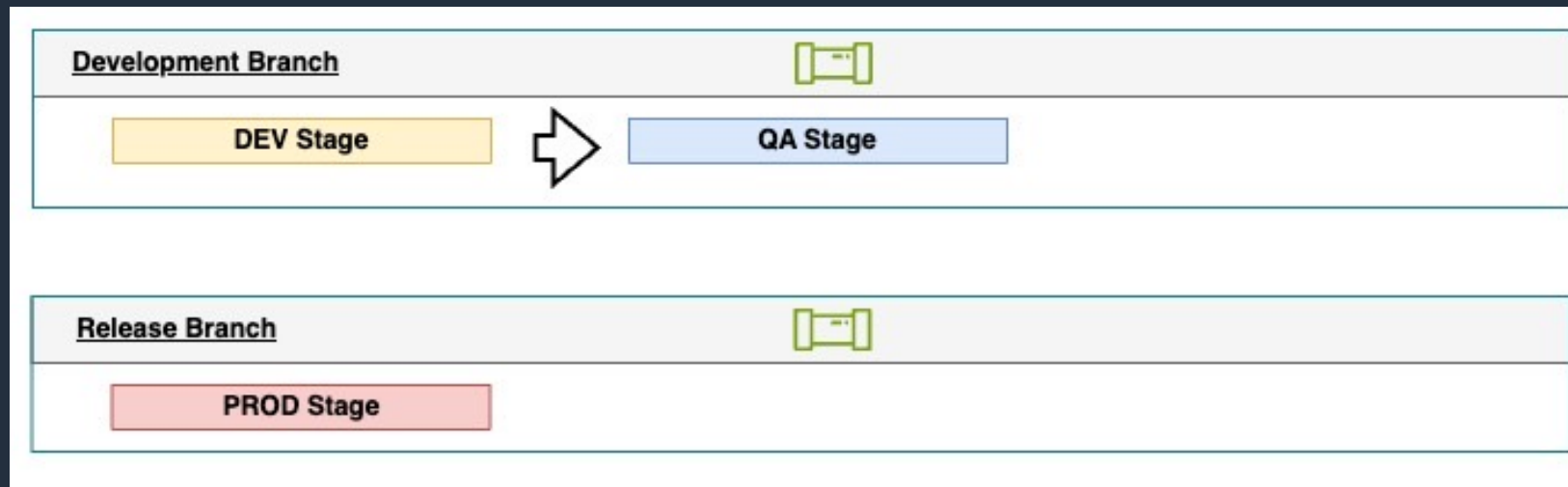


Selective Jobs Via Commit Message



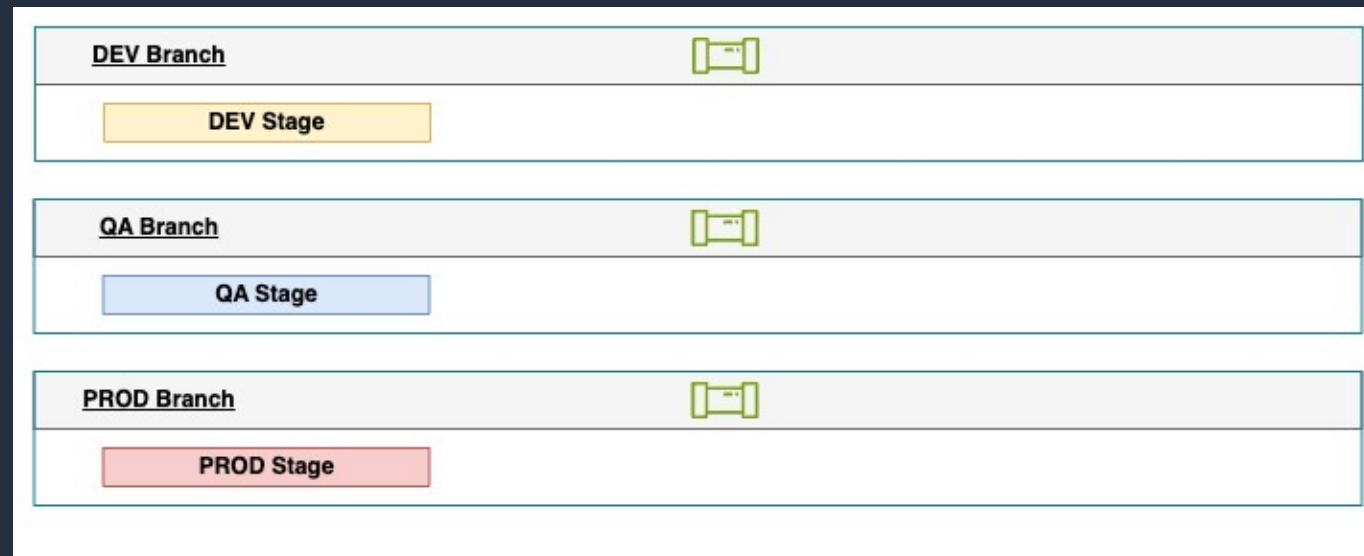
Alternative Branching Strategies

1. 2 Branch Strategy



Alternative Branching Strategies

1. Branch Per Environment



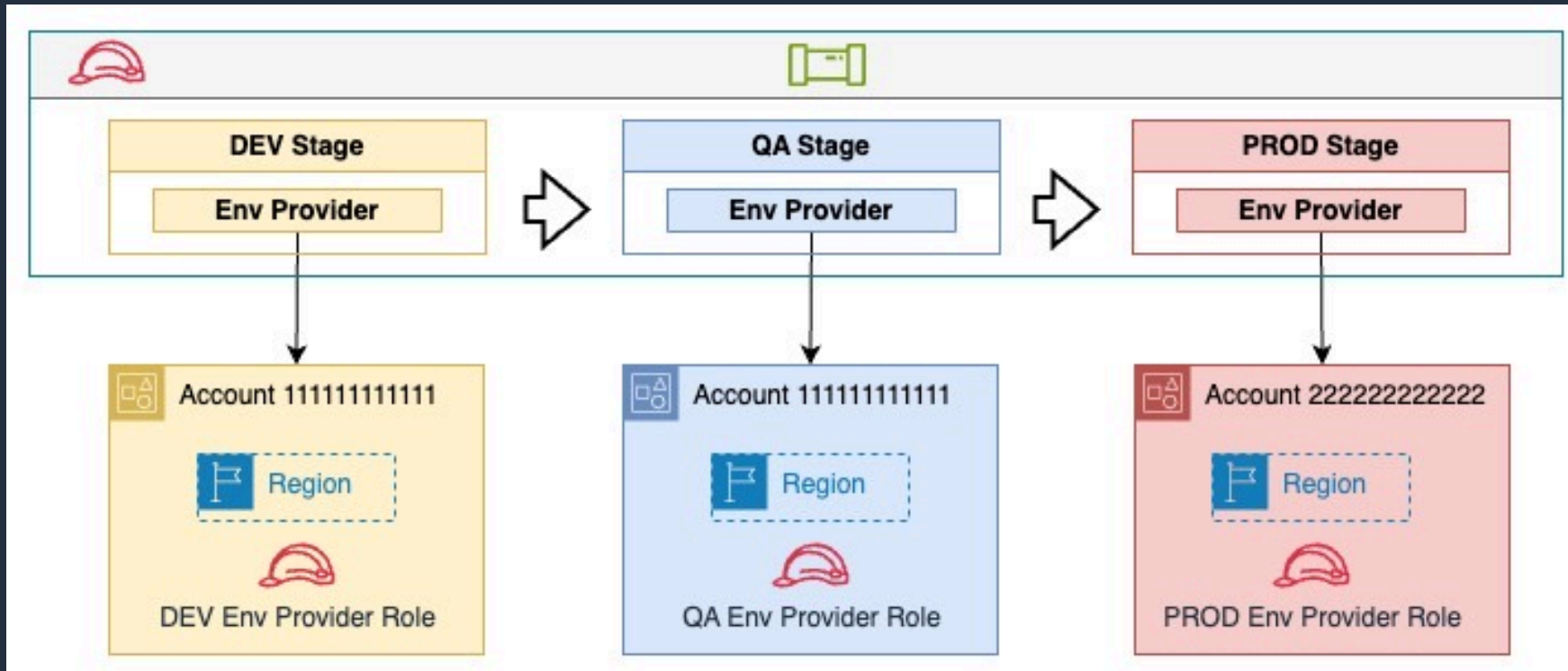
OPA Application Pipelines

Deploying to Multiple AWS Accounts & Regions



App Deployment To Multiple AWS Accounts

`.awsdeployment/providers/${ENV_NAME}-${ENV_PROVIDER_NAME}.properties`



OPA Application Pipelines

Central Pipeline Management



Modular and centrally managed

```
include:  
  - project: 'opa-admin/backstage-reference'  
    ref: main  
    file:  
      - 'common/cicd/.gitlab-ci-job-defaults-cdk.yml'  
      - 'common/cicd/.gitlab-ci-aws-base.yml'  
      - 'common/cicd/.gitlab-ci-aws-iac-serverless-api.yml'
```

Where to Find Centrally Managed CICD Jobs

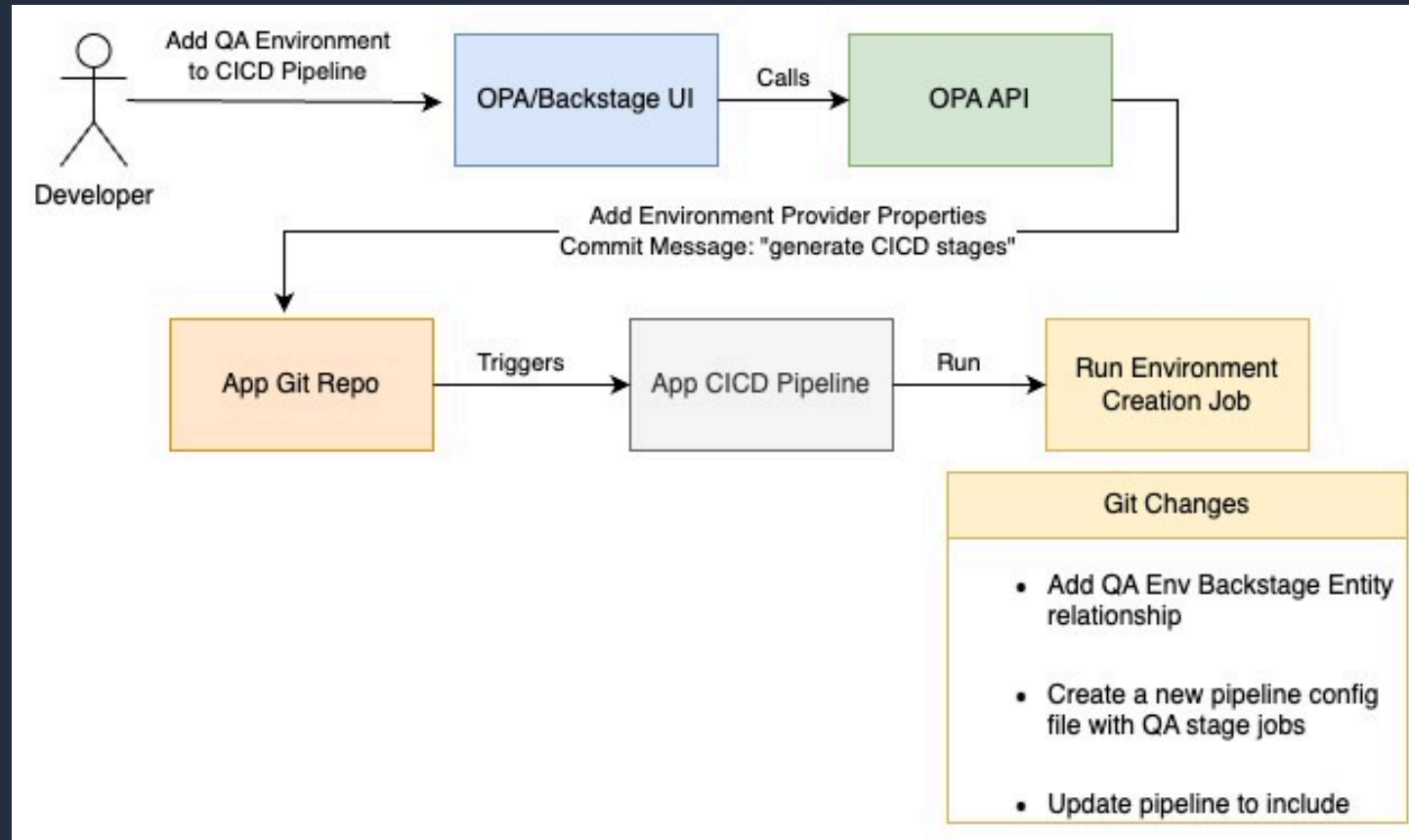
[backstage-reference/common/cicd](#)

OPA Application Pipelines

Event Processing



Adding a New CI/CD Environment Stage to an App





Thank you!



Orchestrate Platform and Applications

fsi-pace-pe@amazon.com